

SMART GRINDER



Dyna Alfa Solutions



MAKE YOUR KITCHEN LIFE BETTER





*“Protect Environment
Tomorrow Starts Today”*

SMART GRINDER

Waste disposal machines are popular in residential area. They are convenient in many ways such as; food waste can be cleaned off directly into the sink instead into the trash bin. Besides, it will also help to reduce the odour inside the trash bin. With the proper way of disposing waste, it will help to prevent flies from coming into our living area that will reduces the cause of diseases. Nevertheless, one of the most important factors of this machine that can give you is a great Eco-friendly environment and that is what we require for today's living.

UNIQUE FUNCTION WITH GOOD BENEFITS



Continuous feed
continues to
grind as long as
power is on




Universal Xpress Mount™
fits Moen and most existing
3-Bolt mounting assemblies,
including InSinkErator



Dishwasher Inlet



SoundSHEILD™
provides sound
deadening insulation



Removable Power Cord
Extra savings over
models with cords
sold separately
Cord removes easily for
optional hardwiring



High-speed VORTEX™
permanent magnet
motor provides
fast, powerful
grinding, designed
to **reduce jamming**



SPECIFICATION

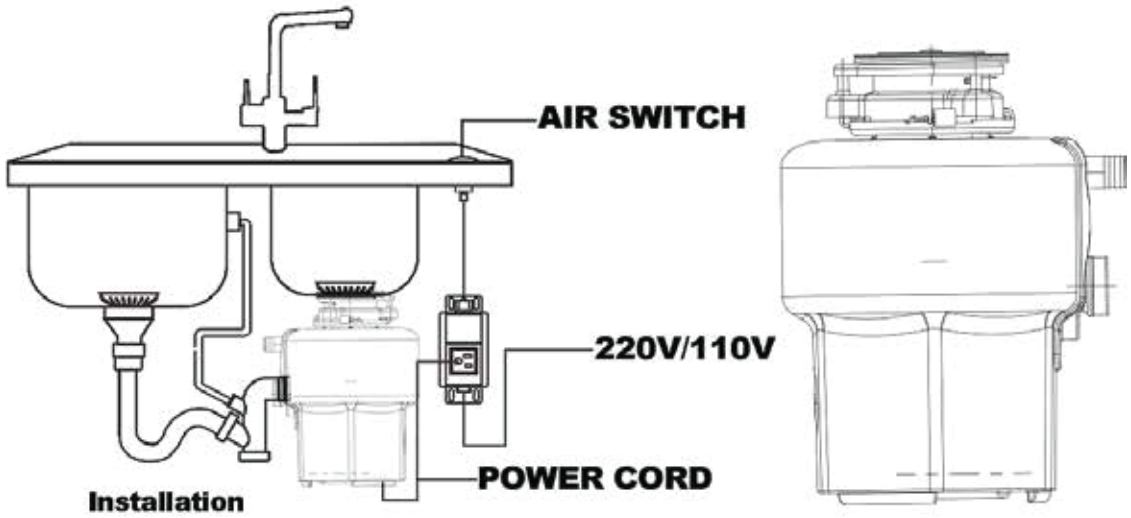


SGWA PARAMETER / SPECIFICATION

Horsepower	<input type="checkbox"/> 1/2Hp <input type="checkbox"/> 3/4Hp <input checked="" type="checkbox"/> 1Hp	Protection	Over current & Over Loaded
Voltage	<input type="checkbox"/> 110/120V <input checked="" type="checkbox"/> 220/240V	Grinding Plate	304 Stainless Steel
Capacity	<input type="checkbox"/> 1100ml <input checked="" type="checkbox"/> 1500ml	Sink Flange	304 Stainless Steel
Motor	<input checked="" type="checkbox"/> AC <input type="checkbox"/> DC <input type="checkbox"/> BLDC	Dimension	340x280x350mm
Grinding Stage	<input type="checkbox"/> Two <input checked="" type="checkbox"/> Three <input type="checkbox"/> Five	N./G.Weight	8.2/9.5kg
Grinding Speed	<input checked="" type="checkbox"/> 1480r/m <input type="checkbox"/> 3000r/m <input type="checkbox"/> 2200r/m	Chamber	<input type="checkbox"/> Nylon/Glass Fabric <input type="checkbox"/> Bakelite <input checked="" type="checkbox"/> Aluminum Alloy
Noise Level	<input type="checkbox"/> 0-10dB <input checked="" type="checkbox"/> 30-40dB <input type="checkbox"/> 40-50dB	Packaging	<input checked="" type="checkbox"/> Foam <input checked="" type="checkbox"/> Color Box <input checked="" type="checkbox"/> Carton Pallet
Warranty	<input type="checkbox"/> Two Years <input checked="" type="checkbox"/> Three Years	Certification	<input checked="" type="checkbox"/> CE <input checked="" type="checkbox"/> CB <input checked="" type="checkbox"/> LVD <input checked="" type="checkbox"/> EMC <input checked="" type="checkbox"/> RHOSE <input checked="" type="checkbox"/> CQC
OEM/Service	<input checked="" type="checkbox"/> LOGO <input checked="" type="checkbox"/> Label <input checked="" type="checkbox"/> Manual <input checked="" type="checkbox"/> box <input checked="" type="checkbox"/> Sticker <input checked="" type="checkbox"/> Carton	Advantages	<input checked="" type="checkbox"/> Durable <input checked="" type="checkbox"/> Safety <input checked="" type="checkbox"/> Corrosion Proof <input checked="" type="checkbox"/> Noise Insulation <input checked="" type="checkbox"/> Auto Reverse Function



DRAWING



SMART GRINDER

KITCHEN FOOD WASTE DISPOSER SGWA : 1HP AC MOTOR



Model	SGWA - 1HP AC MOTOR
Features	
Motor Type	AC
Motor HP	1 hp
Motor RPM	1480 r/min
Capacity	1500ml
Impellers	Stainless Steel
Mounting Type	Three-bolt locking
Turntable Material	Stainless Steel
Feed Type	Continuous
Armature Shaft Material	40Cr Steel
Sound Package	30dB
Splash Guard	Non-Removable
Sink Stopper	Yes
Manual Overload Protect	Yes
Drain Outlet Diameter	1-1/2"
Drain Connector	Yes
Drain Elbow	Yes
Warranty	3
Specification	
Amps@120 Volts	4.5
Wiring Requirements	Direct Wired
Voltage Rating	220v/120v,50Hz/60Hz
Exterior Styling	ABS Shell
Internal Core	Aluminum Alloy
Accessories	
Sink Flang Kit	Yes
Switch	Air switch & internal remote switch

High-Torque AC Motor

High quality AC motor,grind through food waste

Fast-Fit Design

Three point bayonet mounting system,easy installation

Continuous -Feed Operation

Dispose the food waste continuously by using air switch

Ultra-quiet design

Aero noise insulation foam,double shell
Grinding System



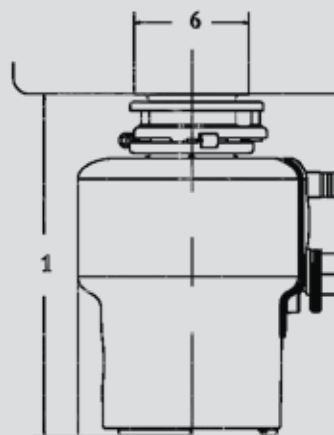
AutoReverse function

Protect the disposer from jamming

AutoStop

5 minutes without any residue
putting in, the machine will stop

Products Dimensions



SMART GRINDER

KITCHEN FOOD WASTE DISPOSER

SGWD - 1HP DC MOTOR



Model	SGWD - 1HP DC MOTOR
Features	
Motor Type	DC
Motor HP	1hp
Motor RPM	2400 r/min
Capacity	1500ml
Impellers	Stainless Steel
Mounting Type	three-bolt locking
Turntable Material	Stainless Steel
Feed Type	Continuous
Armature Shaft Material	40Cr Steel
Sound Package	40dB
Splash Guard	Non-Removable
Sink Stopper	Yes
Manual Overload Protect	Yes
Drain Outlet Diameter	1-1/2"
Drain Connector	Yes
Drain Elbow	Yes
Warranty	2
Specification	
Amps@120 Volts	4.5
Wiring Requirements	Direct Wired
Voltage Rating	220v/120v,50Hz/60Hz
Exterior Styling	ABS Shell
Internal Core	Bakelite
Accessories	
Sink Flang Kit	Yes
Switch	Air switch & internal remote switch

Fast-Fit Design

Three point bayonet mounting system, easy installation

Continuous -Feed Operation

Dispose the food waste continuously by using air switch

Ultra-quiet design

Aero noise insulation foam, double shell

Grinding System



Products Dimensions